



## Spray Nozzles & Systems for Pharmaceutical Industry

---







## A World Class Indian Spray Nozzle Manufacturer

Spraytech Systems (India) Pvt. Ltd. was started by Shri. Bapusaheb Kharade, in early 2000 as a Spray Nozzle Manufacturer for replacement market catering to Steel Industries. Primarily company was started in a 1000 sq. feet workshop & within a decade it is elaborated to 7000 sq. feet modern factory. An another factory is started at Indapur 100 kms. away from Pune with a area of 2,00,000 sq. feet is again a big achievement for the Organisation. Recently Spraytech has started one another factory at Rabale (Navi Mumbai) with area of 13000 sq. feet. All three factories are facilitated with next generation class CNC machines, heavy material handling equipments to serve raising market demands with no compromise with world class product quality. Along with this field of engineering we are entered in forging to serve respective product demands.

"Spraytech" is a leading organisation & a good name in the market for mfg. of Spray Nozzles.

We attribute our success to our motivated and skilled work force who can accomplish job orders of varying magnitudes and complexities. We are proud to have esteemed customers who have entrusted their faith in us over the years.

The aim of our organization is customer satisfaction which is achieved through following objectives: Commitment to quality, Prompt response, Technological solutions, On time delivery, After sales service.

Our challenge is to meet the widely ranging delivery demands of an equally diverse customer base coupled with constant upgradation of production equipment and techniques to keep pace with new market trends and applications.



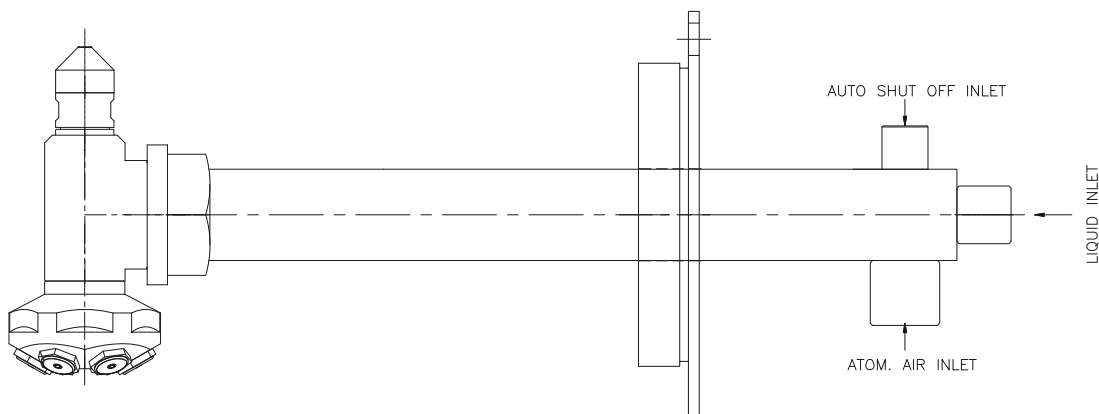
# FBP Top Spray Nozzle & Lance

Spraytech's Top Spray Nozzles are design for Large Scale, Medium Scale and Lab Scale Fluid Bed Processors.

Manufactured according to GMP and available in wide range of spray rates. And external mix spray setup enhances the spray quality and distribution in optimum way.

## Design Features

- Available in 1, 3, 6, 7 spray heads
- Available in various spray angles (Top down spray)
- Auto-shut off Feature
- Anti-drip spray heads
- Long Life Lance design
- Compact design of spray nozzle
- Homogeneous spray distribution
- Fine droplet size, best for dry granulation, pallet coating, and agglomeration.
- GMP Suitable design
- Anti-clogging lance
- Made from SS316L and All O-rings from FDA Approved material
- Custom made designs available



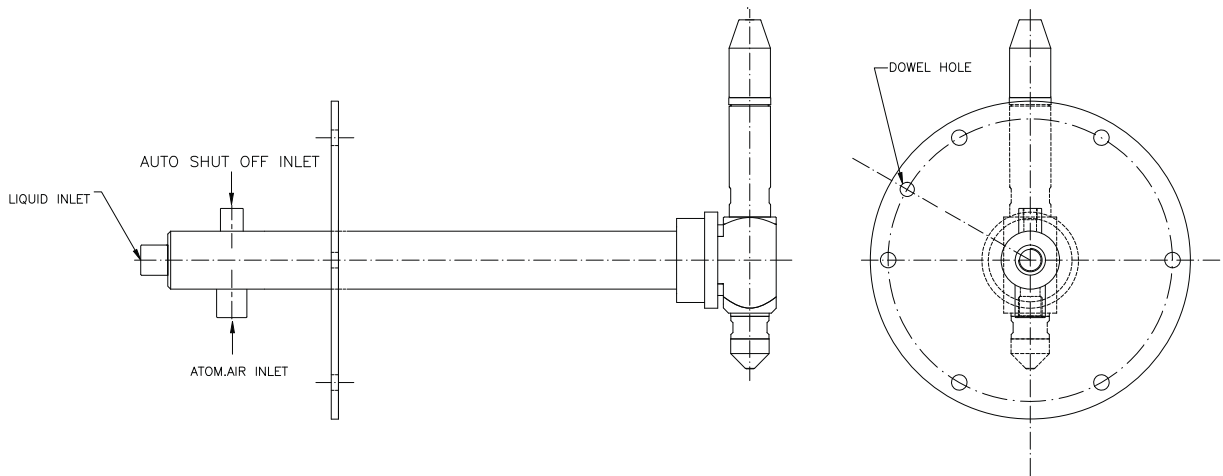
# FBP Bottom Spray Nozzle & Lance (Wurster Coating)

Spraytech's specially designed and customizable Fluid bed Bottom spray (Wurster coating) nozzle helps to improve the wurster coating application and also makes it possible to attain high-quality results in coating pellets and particles.

Designed for All type of Bottom Spray Coating, Allegiant spray distribution and fine droplets results in optimum quality of coating. Light weight design and easy to control the spray parameters. Minimum internal parts hence less maintenance,

## Design Features

- Optimum spray quality
- Anti-drip spray tip
- Auto-clean needle assembly
- Easy to assemble and dismantle
- Special air cap design to avoid material build-up
- GMP Suitable design
- Anti-clogging lance
- Available with various orifices sizes
- Made from SS316L and All O-rings from FDA Approved material
- Custom made designs available



# Top Spray Lance / Nozzle

## Customer Details

Company Name \_\_\_\_\_ Contact No. \_\_\_\_\_  
 Contact Person \_\_\_\_\_ E-mail \_\_\_\_\_

## Equipment Details

Equipment  FBP  FBE  FBC  FBD Shell Diameter \_\_\_\_\_  
 Equipment Make \_\_\_\_\_ Equipment Capacity (kg) \_\_\_\_\_  
 Existing spray system  Top Spray Lance  Top Spray Nozzle  NONE

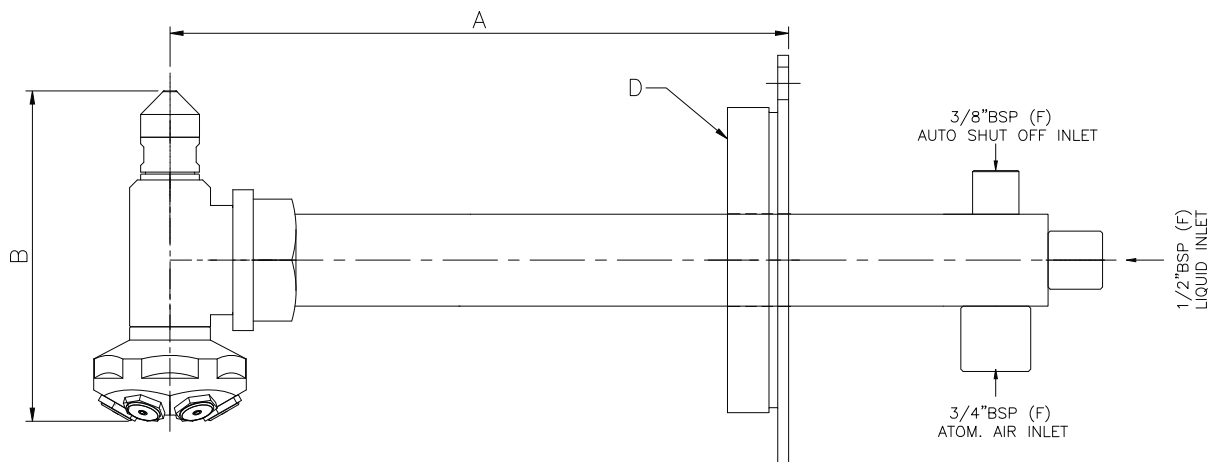
## Existing Spray Lance / Nozzle Details

Manufacture Name \_\_\_\_\_ Model No. \_\_\_\_\_  
 No. of Lance / Nozzle \_\_\_\_\_ Orifice Size \_\_\_\_\_  
 No. of Heads \_\_\_\_\_ Flow Rate \_\_\_\_\_

## Required Operating Parameters

Liquid Flow Rate / Nozzle Orifice Size \_\_\_\_\_ Nature of Liquid \_\_\_\_\_  
 Spray Angle \_\_\_\_\_ Liquid Viscosity \_\_\_\_\_  
 MOC for Lance / Nozzle \_\_\_\_\_ Liquid Density \_\_\_\_\_  
 Features  With Anti-Drip / Auto Shut-off Liquid Pressure \_\_\_\_\_  
 Without Anti-Drip / Auto-Shut off

## Required GA Dimensions



A] Length (mm) \_\_\_\_\_  
 B] Length (mm) \_\_\_\_\_  
 C] No. of Head \_\_\_\_\_  
 D] Flange Details \_\_\_\_\_  
 \_\_\_\_\_

# Wurster Coating (Bottom) Spray Lance / Nozzle

## Customer Details

Company Name \_\_\_\_\_ Contact No. \_\_\_\_\_  
 Contact Person \_\_\_\_\_ E-mail \_\_\_\_\_

## Equipment Details

Equipment  FBP  FBE  FBC  FBD  
 Equipment Make \_\_\_\_\_  
 Existing spray system  Bottom (Wurster) Spray Lance  
                                    Bottom (Wurster) Spray Nozzle  
 Wurster Column Diameter \_\_\_\_\_  
 Wurster Column Height \_\_\_\_\_  
 Equipment Capacity (kg) \_\_\_\_\_

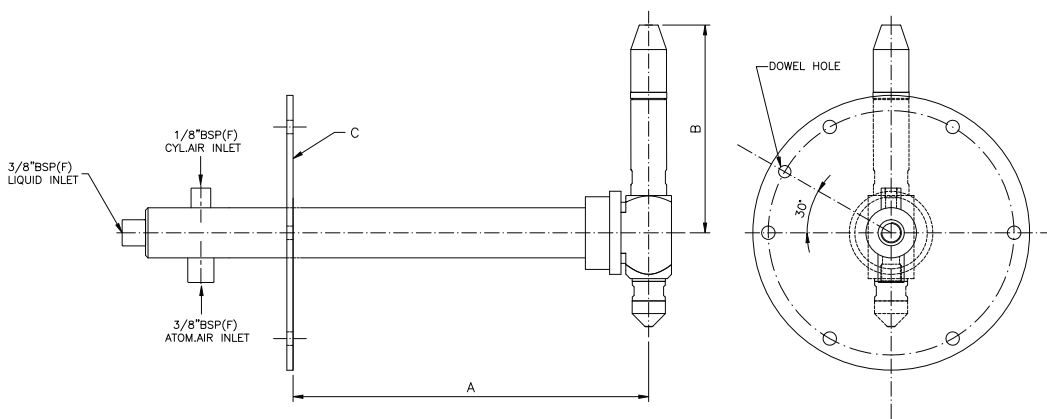
## Existing Spray Lance / Nozzle Details

Manufacture Name \_\_\_\_\_ Model No. \_\_\_\_\_  
 No. of Lance / Nozzle \_\_\_\_\_ Orifice Size \_\_\_\_\_  
 Features  With Anti-Drip / Auto Shut-off  
                    Without Anti-Drip / Auto-Shut off  
 Flow Rate \_\_\_\_\_

## Required Operating Parameters

Liquid Flow Rate / Nozzle Orifice Size \_\_\_\_\_ Nature of Liquid \_\_\_\_\_  
 Spray Angle \_\_\_\_\_ Liquid Viscosity \_\_\_\_\_  
 MOC for Lance / Nozzle \_\_\_\_\_ Liquid Density \_\_\_\_\_  
 Features  With Anti-Drip / Auto Shut-off  
                    Without Anti-Drip / Auto-Shut off  
 Liquid Pressure \_\_\_\_\_

## Required GA Dimensions



A] Length (mm) \_\_\_\_\_  
 B] Length (mm) \_\_\_\_\_  
 C] Flange Details \_\_\_\_\_

**Required Quantity** \_\_\_\_\_

# Spraytech Location Map



- Regd. Office (Thane)
- Rabale Plant (Navi Mumbai)
- Indapur Plant (Pune)

**Regd. Office :**  
20 KMS from Mumbai International Airport



**Regd. Office :**

Spraytech House, Plot A-132, Road No. 23,  
Spraytech Circle, Wagale Indl. Estate,  
Thane (W) - 400 604. Mumbai - Maharashtra, (India)  
Tel. : 91-022-2582 8929/2735/2736  
Fax : 91-022-2581 2861  
E-mail : sales@spraytechindia.com  
sales1@spraytechindia.com

**Rabale Plant :**

Spraytech Systems (I) Pvt. Ltd.,  
Plot No.: R-513, MIDC,  
TTC Industrial Area,  
Rabale, Navi Mumbai-400 701.

**Indapur Plant :**

Spraytech Systems (I) Pvt. Ltd.,  
Plot No.: A-5,  
Indapur Five Star Industrial Area  
Village - Loni Devkar Balpudi,  
Tal. - Indapur,  
Dist. - Pune. 413103